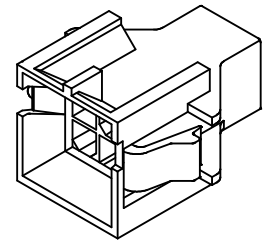
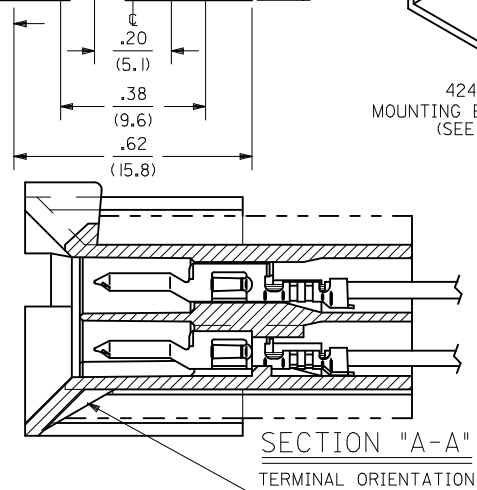
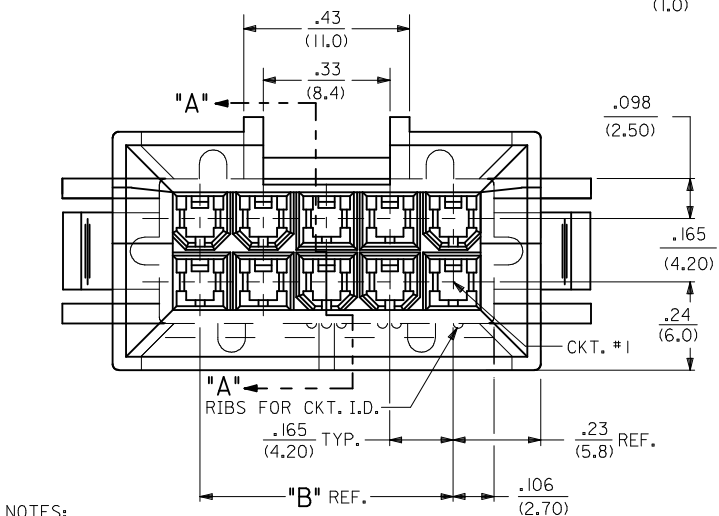


42475-\*\*\*1  
MOUNTING EAR DESIGN "A"  
(SEE NOTE 9)



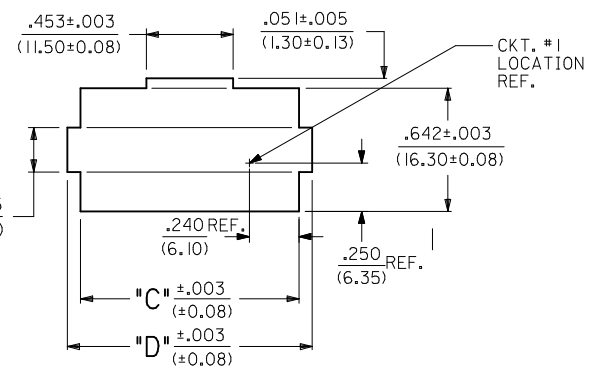
42475-\*\*\*1  
MOUNTING EAR DESIGN "B"  
(SEE NOTE 9)

CIRCUIT SIZE	DIM. "A"	DIM. "B"	DIM. "C"	DIM. "D"
6	.54 (13.8)	.33 (8.4)	.807 (20.50)	.945 (24.00)
8	.71 (18.0)	.50 (12.6)	.972 (24.70)	1.110 (28.20)
10	.87 (22.2)	.66 (16.8)	1.138 (28.90)	1.276 (32.40)
12	1.04 (26.4)	.83 (21.0)	1.303 (33.10)	1.441 (36.60)
14	1.20 (30.6)	.99 (25.2)	1.469 (37.30)	1.606 (40.80)
16	1.37 (34.8)	1.16 (29.4)	1.643 (41.50)	1.772 (45.00)
18	1.54 (39.0)	1.32 (33.6)	1.799 (45.70)	1.937 (49.20)
20	1.70 (43.2)	1.49 (37.8)	1.965 (49.90)	2.102 (53.40)
22	1.87 (47.4)	1.65 (42.0)	2.130 (54.10)	2.268 (57.60)
24	2.03 (51.6)	1.82 (46.2)	2.295 (58.30)	2.433 (61.80)



SECTION "A-A"  
TERMINAL ORIENTATION

SEE NOTE #13



RECOMMENDED CUT-OUT FOR .063/(1.60)  
MAX. THICK P.C. BOARD. (6-24 CKT'S.)

SCALE: 2X

NOTES:

- 1) MATERIAL:
  - 1 = NYLON (PA6/6), UNFILLED, UL94 V-2, COLOR: NATURAL
  - 2 = NYLON (PA6/6), UNFILLED, UL94 V-0, COLOR: NATURAL
  - 3 = NYLON (PA6/6), UNFILLED, UL94 V-2, COLOR: BLACK
  - 4 = NYLON (PA6/6), UNFILLED, UL94 V-0, COLOR: BLACK
- 2) FINISH NOT APPLICABLE.
- 3) THIS PART CONFORMS TO MOLEX PRODUCT SPEC. NO. PS-5556-002.
- 4) PACKAGING: PK-42474-001
- 5) 6-24 CKT. PARTS MATE WITH MOLEX RECEPTACLES 5557, 42385 AND 42474. 2 AND 4 CKT. PARTS MATE WITH 42385 AND 42474 ONLY.
- 6) PART IS FOR USE WITH MALE TERMINAL #5558.
- 7) PART ALLOWS FOR UP TO .100/(2.54) MISALIGNMENT WITH MATING RECEPTACLE IN ANY DIRECTION. SEE MATING CONNECTOR DRAWINGS FOR SPECIFIC ALLOWANCES.
- 8) PANEL CUT-OUT TO BE PUNCHED IN THE SAME DIRECTION AS CONNECTOR INSERTION.
- 9) PARTS MANUFACTURED AFTER 95/12/31 MAY HAVE MOUNTING EAR DESIGN "B" PARTS WITH MOUNTING EAR DESIGN "A" WILL BE OBSOLETE AS TOOL LIFE DICTATES. IN SOME CASES, PARTS MAY BE AVAILABLE WITH BOTH MOUNTING EAR DESIGNS. SEE CHART ON SHEET 4 FOR SPECIFIC EAR DESIGN AVAILABILITY.

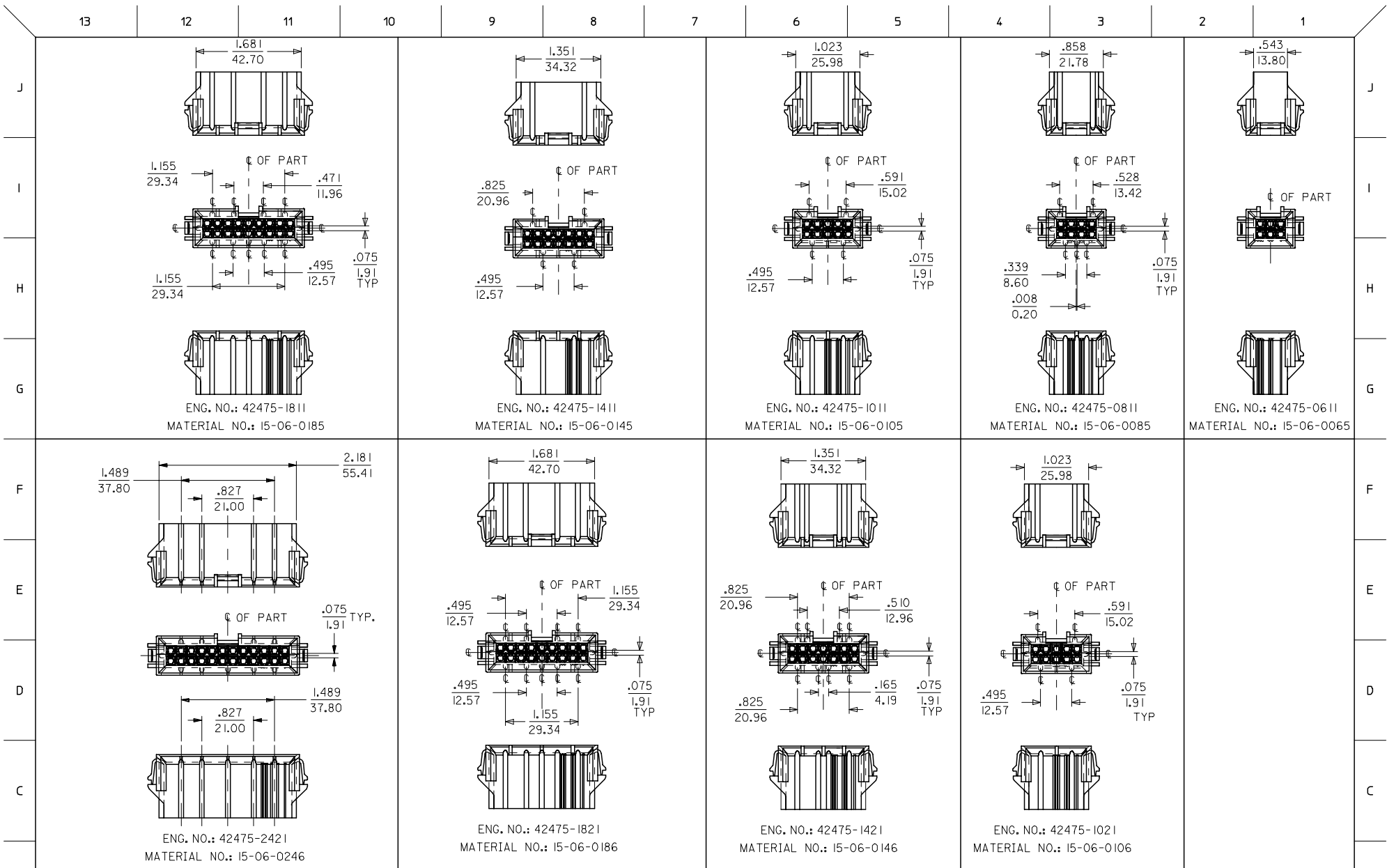
- 10) FOR MANUFACTURING EASE PARTS MAY HAVE OPTIONAL EJECTOR RIBS. SEE SHT. 3 FOR LOCATION.
- 11) DIMENSION DOES NOT INCLUDE EJECTOR RIBS (SEE PAGE #3 FOR PARTS WITH RIBS, RIB DIMENSIONS AND LOCATION).
- 12) IF THIS PRODUCT IS STORED IN AN ENVIRONMENT WITH A RELATIVE HUMIDITY OF LESS THAN 50%, MOISTURE MUST BE ADDED. REFER TO TECHNICAL ADVISORY AS-45499-001 FOR INSTRUCTIONS.
- 13) INTERIOR RIB LOCATION MAY VARY.

- 14) CONNECTOR ASSEMBLIES ARE NOT TO BE MATED OR UNMATED WHILE CIRCUITS ARE LIVE.
- 15) WIRES ARE TO BE DRESSED IN SUCH A MANNER TO ALLOW THE TERMINALS TO FLOAT FREELY IN THE POCKET.
- 16) PART CONFORMS TO CLASS "B" REQUIREMENTS OF COSMETIC SPECIFICATION PS-45499-022.

4	S1
3	S
2	S
1	S1
SHEET REV	

SEE SHEET 2 FOR 2 & 4 CKT. PARTS

ADDED 50362323 EC NO: UCP2009-0892 DRWING: JALOSTHEMER 2008/10/09 CHKD: JEBELL 2008/10/14 APPR: FSMITH 2008/10/15	QUALITY SYMBOLS	GENERAL TOLERANCES (UNLESS SPECIFIED)	DIMENSION STYLE	SCALE	DESIGN UNITS	THIRD ANGLE PROJECTION															
	$\nabla=0$ $\nabla=0$	<table border="1"> <tr> <th></th> <th>mm</th> <th>INCH</th> </tr> <tr> <td>4 PLACES</td> <td>± ---</td> <td>± ---</td> </tr> <tr> <td>3 PLACES</td> <td>± ---</td> <td>± .010</td> </tr> <tr> <td>2 PLACES</td> <td>± 0.25</td> <td>± .015</td> </tr> <tr> <td>1 PLACE</td> <td>± 0.38</td> <td>± ---</td> </tr> </table>		mm	INCH	4 PLACES	± ---	± ---	3 PLACES	± ---	± .010	2 PLACES	± 0.25	± .015	1 PLACE	± 0.38	± ---	IN/MM	4:1	METRIC	
		mm	INCH																		
	4 PLACES	± ---	± ---																		
3 PLACES	± ---	± .010																			
2 PLACES	± 0.25	± .015																			
1 PLACE	± 0.38	± ---																			
	ANGULAR ±1/2°	DRAWN BY	DATE	TITLE																	
	DRAFT WHERE APPLICABLE MUST REMAIN WITHIN DIMENSIONS	GEP	1989/07/18	PLUG HOUSING B.M.I. 2-24 CIRCUITS MINI-FIT SERIES																	
		CHECKED BY	DATE	Molex MOLEX INCORPORATED																	
		RJF	1989/07/18	SD-42475-***1																	
		APPROVED BY	DATE	SHEET NO.																	
		RAS	1989/07/18	1 OF 4																	
		MATERIAL NO.	DOCUMENT NO.	THIS DRAWING CONTAINS INFORMATION THAT IS PROPRIETARY TO MOLEX INCORPORATED AND SHOULD NOT BE USED WITHOUT WRITTEN PERMISSION																	
		SEE SHEET 4																			



**NOTES:**

1) DIMENSIONS GIVEN ACROSS CENTERLINES ARE SYMMETRICAL ABOUT THOSE CENTERLINES WITHIN HALF THE TOTAL TOLERANCE.

MODIFIED TITLE BLK  
 EC NO: UCP2007-3279  
 DRWALLSCHMIDT 2007/09/05  
 CHKD:LSCHMIDT 2007/09/07  
 APPR:FSM TH 2007/09/07

QUALITY SYMBOLS

GENERAL TOLERANCES (UNLESS SPECIFIED)

	mm	INCH
4 PLACES	± .10	± .004
3 PLACES	± .15	± .006
2 PLACES	± 0.25	± .010
1 PLACE	± 0.38	± .015
ANGULAR ±1/2°		

DRAFT WHERE APPLICABLE MUST REMAIN WITHIN DIMENSIONS

DIMENSION STYLE  
 IN/MM

DRAWN BY DATE  
 CM 1998/04/16

CHECKED BY DATE  
 MAB 1998/04/16

APPROVED BY DATE  
 RE 1998/04/16

MATERIAL NO.  
 SIZE C

SCALE 1:1

DESIGN UNITS METRIC

THIRD ANGLE PROJECTION

PLUG HOUSING B.M.I  
 2-24 CIRCUITS  
 MINI-FIT SERIES

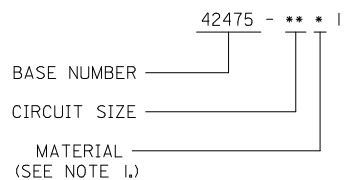
MOLEX INCORPORATED

DOCUMENT NO. SD-42475-\*\*\*1

SHEET NO. 3 OF 4

	13	12	11	10	9	8	7	6	5	4	3	2	1		
	PART NUMBER	ENG. NUMBER	CKT. SIZE	MATERIAL (SEE NOTE 1.)	PART NUMBER	CKT. SIZE	MATERIAL (SEE NOTE 1.)	MOUNTING EAR TYPE							
								CKT. SIZE	DESIGN A, DESIGN B (SEE SHEET I)						
J	NOT TOOLED	42475-0211	2	I						42475-***2I, 5558-GS*	42474-***2I, 5556-PBGS*P	94V-0	PHOS. BRZ.	GOLD	
										42475-***1I, 5558-GS*	42474-***1I, 5556-PBGS*P	94V-2			
	15-06-0045	42475-0411	4		42475-0431	4		2	N/A	42475-***2I, 5558-GS*	42474-***2I, 5556-GS*P	94V-0	BRASS	GOLD	
										42475-***1I, 5558-GS*	42474-***1I, 5556-GS*P	94V-2			
	15-06-0065	42475-0611	6		42475-0631	6		4	B	42475-***2I, 5558-PBS*	42474-***2I, 5556-PBS*P	94V-0	PHOS. BRZ.	TIN	
										42475-***1I, 5558-PBS*	42474-***1I, 5556-PBS*P	94V-2			
I	15-06-0085	42475-0811	8		42475-0831	8		6	B	42475-***2I, 5558-S*	42474-***2I, 5556-S*P	94V-0	BRASS	TIN	
										42475-***1I, 5558-S*	42474-***1I, 5556-S*P	94V-2			
	15-06-0105	42475-1011	10		42475-1031	10		8	A	42475-***2I, 5558-GS*	A-42385-***D2	94V-0	PHOS. BRZ.	GOLD	
										42475-***1I, 5558-GS*	A-42385-***C2	94V-2			
	NOT TOOLED	42475-1211	12			12		10	B	42475-***2I, 5558-GS*	A-42385-***B2	94V-0	BRASS	GOLD	
										42475-***1I, 5558-GS*	A-42385-***A2	94V-2			
	15-06-0145	42475-1411	14		42475-1431	14		12	N/A	42475-***2I, 5558-PBS*	A-42385-***D1	94V-0	PHOS. BRZ.	TIN	
										42475-***1I, 5558-PBS*	A-42385-***C1	94V-2			
H	NOT TOOLED	42475-1611	16			16		14	B	42475-***2I, 5558-S*	A-42385-***B1	94V-0	BRASS	TIN	
										42475-***1I, 5558-S*	A-42385-***A1	94V-2			
	15-06-0185	42475-1811	18		42475-1831	18		16	N/A	PLUG HOUSING/ MALE TERMINAL		MATING CONNECTOR	HSG. MAT'L.	TERM. MAT'L.	PLATING
													MATING CONNECTOR FEATURES		
	15-06-0205	42475-2011	20		42475-2031	20		18	A & B						
	NOT TOOLED	42475-2211	22			22		20	A						
	15-06-0245	42475-2411	24	I	42475-2431	24	3	22	N/A						
G								24	B						
	NOT TOOLED	42475-0221	2	2		2	4								
	15-06-0046	42475-0421	4		42475-0441	4									
F	15-06-0066	42475-0621	6			6									
	50-36-2323	42475-0821	8			8									
	15-06-0106	42475-1021	10		42475-1041	10									
	NOT TOOLED	42475-1221	12			12									
	15-06-0146	42475-1421	14		42475-1441	14									
E	NOT TOOLED	42475-1621	16			16									
	15-06-0186	42475-1821	18		42475-1841	18									
	15-06-0206	42475-2021	20		42475-2041	20									
	NOT TOOLED	42475-2221	22			22									
D	15-06-0246	42475-2421	24	2	42475-2441	24	4								

LEGEND:



ADDED 50362323 EC NO: UCP2009-0892 DRWN:KLOSTNER 2008/10/09 CHKD:JBELL 2008/10/14 APPR:FSMITH 2008/10/15	QUALITY SYMBOLS	GENERAL TOLERANCES (UNLESS SPECIFIED)	DIMENSION STYLE	SCALE	DESIGN UNITS	THIRD ANGLE PROJECTION																													
	$\nabla=0$ $\nabla=0$	<table border="1"> <tr> <th></th> <th>mm</th> <th>INCH</th> </tr> <tr> <td>4 PLACES</td> <td><math>\pm</math> ---</td> <td><math>\pm</math> ---</td> </tr> <tr> <td>3 PLACES</td> <td><math>\pm</math> ---</td> <td><math>\pm</math> .010</td> </tr> <tr> <td>2 PLACES</td> <td><math>\pm</math> 0.25</td> <td><math>\pm</math> .015</td> </tr> <tr> <td>1 PLACE</td> <td><math>\pm</math> 0.38</td> <td><math>\pm</math> ---</td> </tr> </table>		mm	INCH	4 PLACES	$\pm$ ---	$\pm$ ---	3 PLACES	$\pm$ ---	$\pm$ .010	2 PLACES	$\pm$ 0.25	$\pm$ .015	1 PLACE	$\pm$ 0.38	$\pm$ ---	<table border="1"> <tr> <th colspan="2">IN/MM</th> </tr> <tr> <td>DRAWN BY</td> <td>DATE</td> </tr> <tr> <td>GEP</td> <td>1989/07/18</td> </tr> <tr> <td>CHECKED BY</td> <td>DATE</td> </tr> <tr> <td>RJF</td> <td>1989/07/18</td> </tr> <tr> <td>APPROVED BY</td> <td>DATE</td> </tr> <tr> <td>RAS</td> <td>1989/07/18</td> </tr> </table>	IN/MM		DRAWN BY	DATE	GEP	1989/07/18	CHECKED BY	DATE	RJF	1989/07/18	APPROVED BY	DATE	RAS	1989/07/18	4:1	METRIC	
		mm	INCH																																
	4 PLACES	$\pm$ ---	$\pm$ ---																																
3 PLACES	$\pm$ ---	$\pm$ .010																																	
2 PLACES	$\pm$ 0.25	$\pm$ .015																																	
1 PLACE	$\pm$ 0.38	$\pm$ ---																																	
IN/MM																																			
DRAWN BY	DATE																																		
GEP	1989/07/18																																		
CHECKED BY	DATE																																		
RJF	1989/07/18																																		
APPROVED BY	DATE																																		
RAS	1989/07/18																																		
S1	DRAFT WHERE APPLICABLE MUST REMAIN WITHIN DIMENSIONS	SEE CHART	MATERIAL NO. SD-42475-***1	DOCUMENT NO.	SHEET NO. 4 OF 4	TITLE PLUG HOUSING B.M.I. 2-24 CIRCUITS, MINI-FIT SERIES																													
THIS DRAWING CONTAINS INFORMATION THAT IS PROPRIETARY TO MOLEX INCORPORATED AND SHOULD NOT BE USED WITHOUT WRITTEN PERMISSION																																			